

Technical data sheet



Product features

Cooking range solid top gas 5x burner without cabinet

Model	SAP Code	00018739
--------------	-----------------	----------



- Device type: Gas unit
- Power consumption of the zone 1 [kW]: 4
- Power consumption of the zone 2 [kW]: 8,5
- Power consumption of the zone 3 [kW]: 8,5
- Power consumption of the zone 4 [kW]: 8,5
- Power consumption of the zone 5 [kW]: 6,6
- Ignition: Piezo + Eternal Flame
- Protection of controls: IPX4
- Material: AISI 304 top plate and cladding

SAP Code	00018739	Number of zones	5
Net Width [mm]	1200	Power consumption of the zone 1 [kW]	4
Net Depth [mm]	700	Power consumption of the zone 2 [kW]	8,5
Net Height [mm]	330	Power consumption of the zone 3 [kW]	8,5
Net Weight [kg]	91.00	Power consumption of the zone 4 [kW]	8,5
Power gas [kW]	36.100	Power consumption of the zone 5 [kW]	6,6
Type of gas	Natural gas, propane butane	Solid top dimensions [mm x mm]	370 x 545

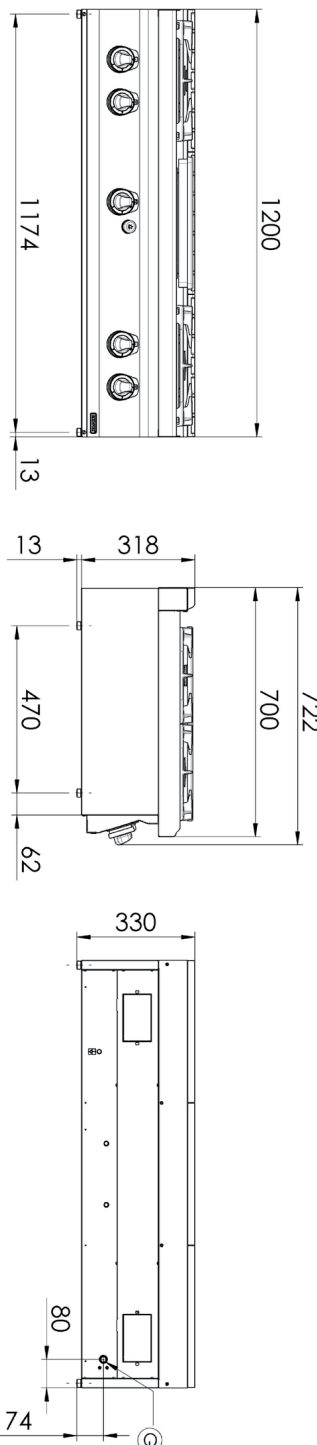
Technical data sheet



Technical drawing

Cooking range solid top gas 5x burner without cabinet

Model	SAP Code	00018739
--------------	-----------------	----------



Technical data sheet



Technical parameters

Cooking range solid top gas 5x burner without cabinet

Model

SAP Code

00018739

1. SAP Code:

00018739

2. Net Width [mm]:

1200

3. Net Depth [mm]:

700

4. Net Height [mm]:

330

5. Net Weight [kg]:

91.00

6. Gross Width [mm]:

1254

7. Gross depth [mm]:

820

8. Gross Height [mm]:

494

9. Gross Weight [kg]:

106.00

10. Device type:

Gas unit

11. Construction type of device:

Table top

12. Power gas [kW]:

36.100

13. Ignition:

Piezo + Eternal Flame

14. Type of gas:

Natural gas, propane butane

15. Protection of controls:

IPX4

16. Exterior color of the device:

Stainless steel

17. Material:

AISI 304 top plate and cladding

18. Worktop material:

AISI 304

19. Worktop Thickness [mm]:

1.20

20. Number of zones:

5

21. Power consumption of the zone 1 [kW]:

4

22. Power consumption of the zone 2 [kW]:

8,5

23. Power consumption of the zone 3 [kW]:

8,5

24. Power consumption of the zone 4 [kW]:

8,5

25. Power consumption of the zone 5 [kW]:

6,6

26. Safety thermocouple:

Yes

27. Number of burners/hot plates:

5

28. Type of gas cooking zones:

Fire protection to install + Classic burners

Technical data sheet



Technical parameters

Cooking range solid top gas 5x burner without cabinet

Model	SAP Code	00018739
--------------	-----------------	----------

29. Burner type:

Brass, detachable

31. Solid top material:

chrome-molybdenum

30. Solid top dimensions [mm x mm]:

370 x 545